

Installation, Operation and Maintenance Instructions

IMPORTANT: Save These Instructions!

DESCRIPTION

The SRK15 downspout hanger is to be used with King SR and SRP heating cables. Carefully follow these instructions. Do not use other hardware or alternate mounting methods which may damage the heating cable and create an electrical hazard, risk of fire, or poor performance.

SRK15 DOWNSPOUT HANGER BRACKET

The downspout bracket is used to protect King heating cables from abrasion on downspout applications. They can be installed on plastic or metal gutters.

WARNING:

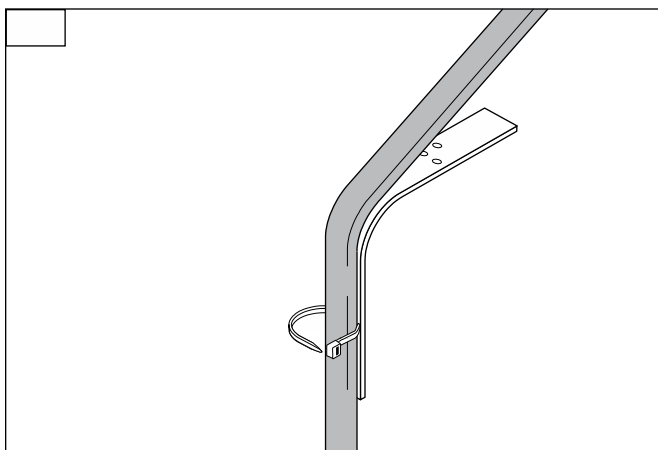
1. Downspout hangers must be installed properly to ensure proper operation and to prevent the risk of electrical hazard or fire. Follow all design, installation, assembly, and test instructions carefully.
2. To minimize the danger of fire from electrical arcing if the heating cable is damaged or improperly installed ground fault equipment protection (GFEP) must be used on each heating cable branch circuit. Arcing may not be stopped by conventional circuit protection.
3. Damaged heating cable can cause arcing or fire. Do not energize damaged heating cable. Repair or replace damaged heating cable prior to applying power.
4. Do not twist cables during installation or embed them in thermal insulation.

TOOLS REQUIRED: Hammer, Pliers

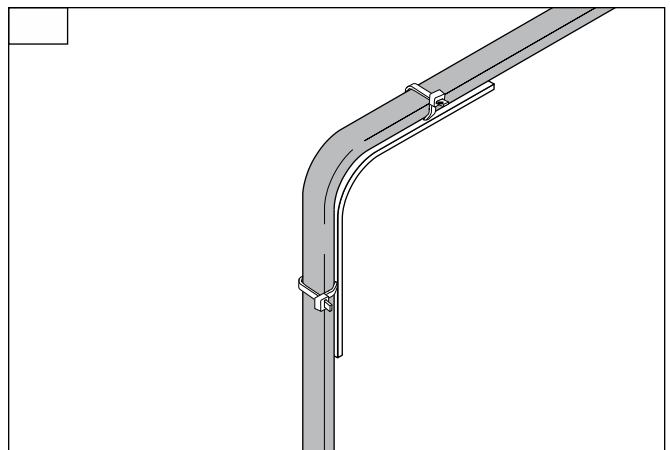
WARNING: ELECTRIC SHOCK HAZARD

Disconnect all power before installing or servicing the heating cable and accessories. SR heating cable must be grounded properly in accordance with the National Electrical Code (NEC). Failure to comply can result in personal injury or property damage. Only a qualified licensed electrical contractor shall install and service of SR heating cable and accessories, otherwise the warranty is voided.

Note: All electrical wiring, including Ground Fault Circuit Interrupters (GFCI), must be done according to the NEC and local codes by a qualified installer. Article 426 of ANSI/NFPA 70 of National Electrical Code (NEC section 62 of CAN/CSA-C22.1, Canadian Electrical Code, Part I (CEC) governs the installation of this heat systems

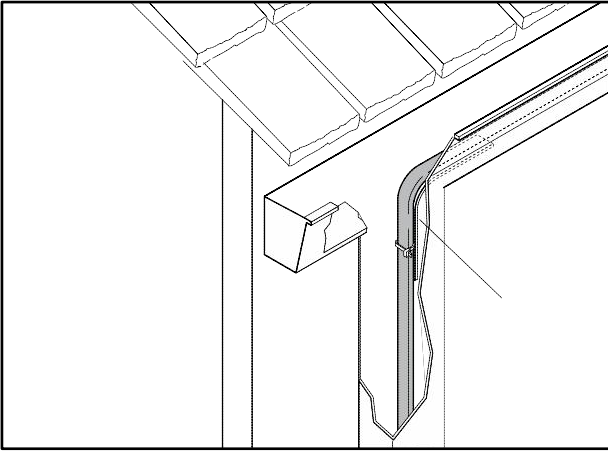


- 1** Bend the bracket to 90 degrees as shown. Insert the cable ties through the holes on the bracket and around the cable.

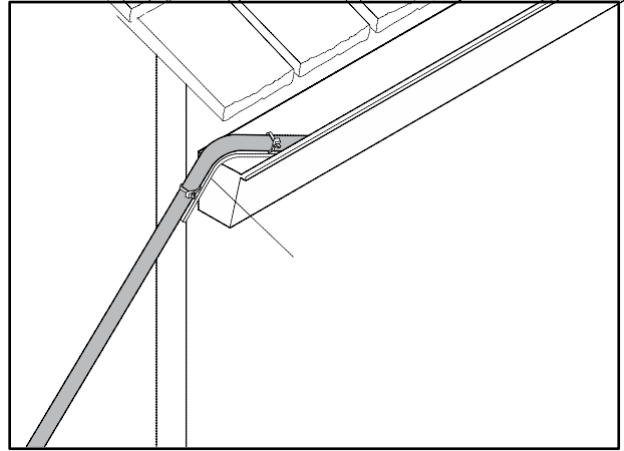


- 2** Position the bracket and tighten the cable ties. Cut off the excess cable tie

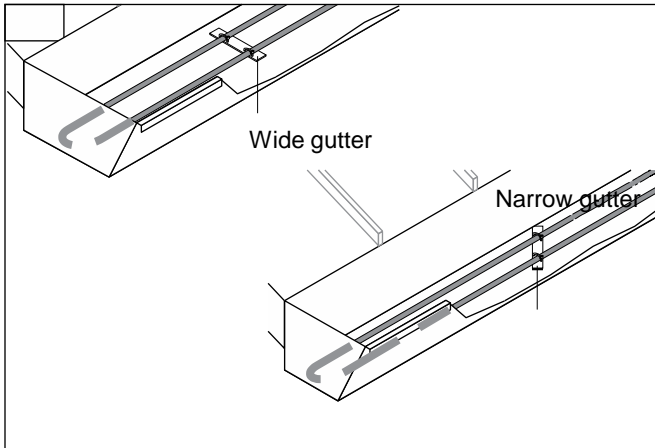
SRK15 Downspout Hanger Bracket



- 3** The bracket should be centered on the edge of the downspout to prevent mechanical damage and to support the heating cable.



- 4** Use the bracket to protect the heating cable from sharp edges such as when mounting at the end of a gutter or other areas with that could damage cable.



- 5** The downspout bracket can also be used as a spacer for two cables in either a narrow gutter or wide gutter as shown above.

Warranty Information:

King Electrical Mfg. Company will repair or replace, without charge to the original owner, any heating cable found to be defective or malfunctioning within the 2 year warranty. **In Case of Product Failure:** Contact King Electrical Mfg. Co. at 800.603.5464. The owner will be required to provide, within the designated warranty period, the following information: model number, date of purchase, and a complete description of the problem encountered with product. Upon receipt of the aforementioned, the company will reply to the owner within a period not to exceed fifteen (15) working days, and will provide the action to be taken by owner. **Terms:** This warranty requires the owner or his agent install the equipment in accordance with the National Electrical Code, any other applicable heating or electrical codes and the manufacturer's installation instructions. It further requires that reasonable and necessary maintenance be performed on the unit. Failure of proper maintenance by owner will void the warranty in its entirety. The company is not liable for any actions it deems to be abuse or misuse of the product. The customer shall be responsible for all costs incurred in the removal or reinstallation of products, including, but not limited to, labor costs, and shipping costs incurred to return products to King Manufacturing. At their discretion, King Manufacturing will decide to either repair or replace the product, with no charge to the owner, with return freight paid by King. The Company shall not be liable for consequential damages arising with respect to the product, whether based upon negligence, tort, strict liability or contract. No other written or oral warranty applies, nor any warranties by Representatives, Dealers, Employees of King or any other person. King Manufacturing can be contacted by phone at 206.762.0400, fax 206.763.7738 or website www.king-electric.com. The company's minimum liability shall not in any case exceed the list price for the product claimed to be defective.