

# Kickspace Heater KT Series



### Model Code:

KT	12	10	-T
A	B	C	D
A: Series			
B: 12 - 120V 24 - 240V			
C: Watts (500 to 1500)			
D: Thermostat (optional)			



- Open Coil Nichrome Elements
- C-Frame Motor
- Squirrel Cage Blower
- Patented Smart Limit Protection\*
- 20 Gauge Powder Coated Grill
- Dual Wattage
- Standard Color: white
- Optional almond, black, & stainless steel
- 120 or 240 volts
- Low Profile
- 1-year limited warranty



## The KT Kickspace Heater

This narrow profile heater is only 3½" tall and specifically designed to conveniently fit under kitchen or bathroom cabinets, providing warm air for cold bathroom or kitchen. Valuable floor and wall space is saved. The optional KTG-24W Retrofit Grill allows for easy replacement of older kickspace heaters. Install heater and fit with long grill to cover existing cutout. For applications other than kickspace use KTG-OL Grill. Check floor covering manufacturer's recommendation for acceptable surface temperature.

### Ordering Information

	MODEL	UPC	VOLTS	WATTS	AMPS	SHIP WEIGHT lbs
<b>120V</b>	KT1210	12256	120	1000 or 500	8.3 or 4.2	8.5
	KT1212	12259	120	1200 or 600	10 or 5	8.5
	KT1215	12262	120	1500 or 750	12.5 or 6.3	8.5
<b>240/ 208V</b>	KT2410	12271	240/208*	1000 or 500 / 750 or 375*	4.2 or 2.1 / 3.6 or 1.8	8.5
	KT2412	12272	240/208*	1200 or 600 / 900 or 450*	5 or 2.5 / 4.3 or 2.2	8.5
	KT2415	12277	240/208*	1500 or 750 / 1125 or 562*	6.3 or 3.2 / 5.4 or 2.7	8.5

\*Dual rated heaters will draw 13% less amps and 25% less wattage when operated at 208V.

## Engineering Specifications

*Contractor shall supply and install KT Series limited space-mounted forced air electric heaters manufactured by King Electrical Mfg. Company. Heaters shall be of the wattage and voltage as indicated on the plans.*

**Ratings:** Heaters shall be available in wattages of 500 to 1,500 at 120 Volts or dual rated from 208 Volts to 240 Volts.

**Blower and Motor:** A tangential cylindrical blower, delivering 70 CFM, shall be driven by a shaded pole, permanently lubricated, C-frame type motor with impedance protection and sealed bearings. Motors shall be the same voltage as the heater.

**Elements:** Element assemblies shall be dual element construction of coiled Nickel Chromium alloy, corrosion resistant wire strung through a minimum of four rows of mica insulator. Element assemblies shall have factory provided connection to allow field modification to 50% wattage at time of installation.

**Grill:** The grill shall be a louvered, one-piece design. The grill shall be epoxy powder-coated in the color specified on the plans.

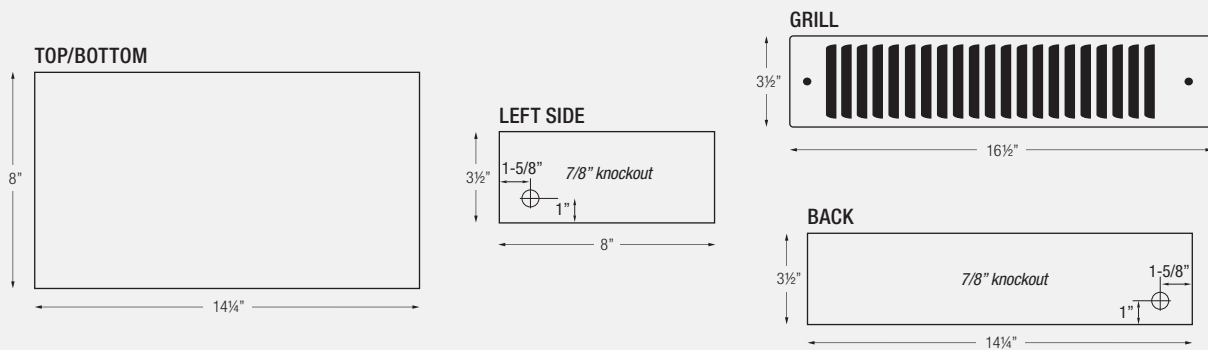
**Thermal Overload:** Heaters shall be equipped with King's patented thermal overload Smart Limit Protection®, which disconnects elements and motor in the event normal operating temperatures are exceeded. If thermal overload trips due to abnormal operating temperatures, thermal overload shall remain open until manually reset by turning the heater off for fifteen minutes. Automatic reset of thermal overloads, which allow the element to continue to cycle under abnormal conditions, will not be accepted.

**Wall Can:** The wall can shall be 20 gauge electrogalvanized steel and contain knockouts. The wall can shall be supplied with a factory installed ground wire. Zero Clearance to floors and 6" to sidewalls.

**Approvals:** cULus (E41422)

# Kickspace Heater KT Series

## Dimensional Data



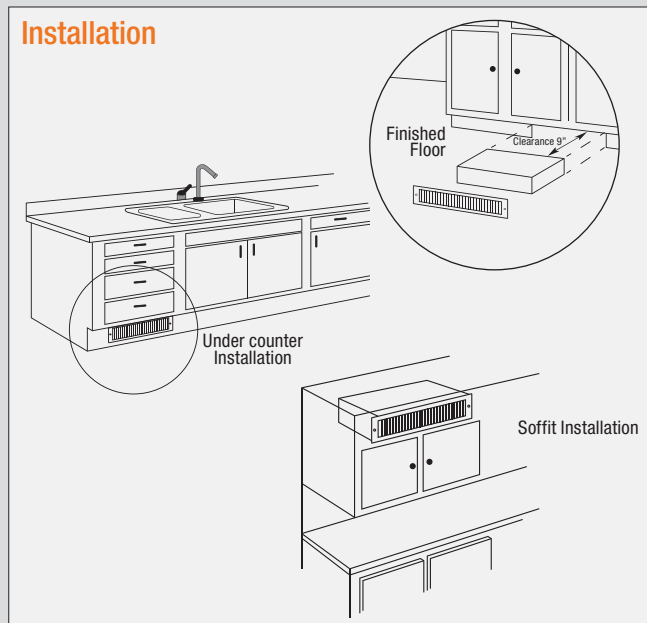
## Options

ADD SUFFIX	DESCRIPTION	WEIGHT lbs
-A	Almond color grill	8.5
-B	Black color grill	8.5
-SS	Stainless steel grill	8.5

## Accessories

MODEL	UPC	DESCRIPTION	WEIGHT lbs
KTG	12295	KT Grill - White	1
KTG-A	12296	KT Grill - Almond	1
KTG-B	12297	KT Grill - Black	1
KTG-SS-3-1/2	12267	SS Grille Standard – 3-1/2" X 16-1/2" (No Overlap)	1.1
KTG-SS	12269	KT Grill - Stainless Steel - 4-1/2" X 16-1/2"	1.1
KTG-OL	12275	KT Series Overlap Grill - White - 4-1/2" X 16-1/2"	1
KTG-24W	12276	Retrofit Grill - White 24" X 3 3/8"	1
TKIT-1BW	20654	Built-in Single Pole Single Throw Thermostat Kit, Bright White	0.5
TKIT-2BW	20655	Built-in Double Pole Single Throw Thermostat Kit, Bright White	0.5
TKIT-1	11058	Built-in Single Pole Single Throw Thermostat Kit, Almond	0.5
TKIT-2	11059	Built-in Double Pole Single Throw Thermostat Kit, Almond	0.5

## Installation



KTG-OL



KTG-24W



TKIT-1

