

INSTALLATION INSTRUCTIONS

SAVE THESE INSTRUCTIONS

LPW2740C 277 Volt MODELS

Power must be brought to the heater first - then to wall thermostat

Instructions for ceiling mount unit with remote wall thermostat

It is *extremely important* to verify that the electrical power supply is the same voltage as the heater you are installing. 208 / 240 / 277 and 120 Volt heaters are **not interchangeable!** Powering a 208 / 240 / 277 Volt unit with 120 Volt supply wires will reduce the heater's output by approximately 75%. Powering a 120 Volt unit with 208 / 240 / 277 Volt supply wires will destroy the heater and voids all warranties.

NOTICE: The power **must** be brought to the heater first (not to the wall mounted or remote thermostat). This is necessary to provide power for the fan to cool down the element after the thermostat has opened. Use a single pole line voltage wall thermostat or switch to control this heater.

CAUTION: Open the circuit breaker supplying the heater before attempting installation, maintenance, or repairs. Lock or tag circuit breaker panel door. Failure to do so could result in serious electrical shock, burns, or possible death.

1. Remove heater contents from carton.
2. Remove grille by loosening the four mounting screws along the sides of the front panel.
3. Detach interior assembly from the ceiling case by removing the four screws along each side of the interior panel. Lift and tilt assembly away from the top of the ceiling case. Free the bottom edge from the metal lip inside the ceiling case. Place the interior assembly in a safe location until the ceiling case is mounted.
4. Mount heater enclosure can on ceiling joists a minimum of 6" from side wall, using the holes provided in the sides of the case. The face of the case should be flush with the finished ceiling surface. Installation of the interior and grille to the ceiling case will cover an approximate 1/2" periphery along the outer area of the opening.
5. Mount heater wall installation case on wall studs a minimum of 6" from side wall or open edge of a door and a minimum of 4" from floor (10" recommended), using the holes provided in the sides of the case. The face of the case should be flush with the finished wall. Installation of the interior and grille to the ceiling case covers an approximate 5/8" periphery along the outer area of the opening.
6. After ceiling case is secured, interior assembly leads may be attached to supply wires and interior secured to ceiling case. **NOTE:** The LPW heater is equipped with two steel elements having a capacity of 2250 Watts each, for a combined capacity of 4500 Watts. The heater is factory-wired at 4500 Watts. To adjust the heater for lower wattages remove the appropriate colored wire according to the illustration and wattage diagram provided on the back side of this sheet. Be sure to insulate and secure the unused lead.
7. Reinstall interior assembly on ceiling case using screws provided.
8. Mount grille to interior with screws provided.
9. Installation is now complete and the heater ready for use.
10. Use a single pole line voltage wall thermostat or switch **only** to control this heater.



Maintenance & Warranty

The high quality and superior design of this unit will enable years of maintenance-free performance. Once yearly the heater should be checked for lint or dust accumulation but no further maintenance is required. The motor is permanently lubricated and sealed. A five year warranty is provided on the Pic-A-Watt element and 1 year on all materials, components and workmanship.

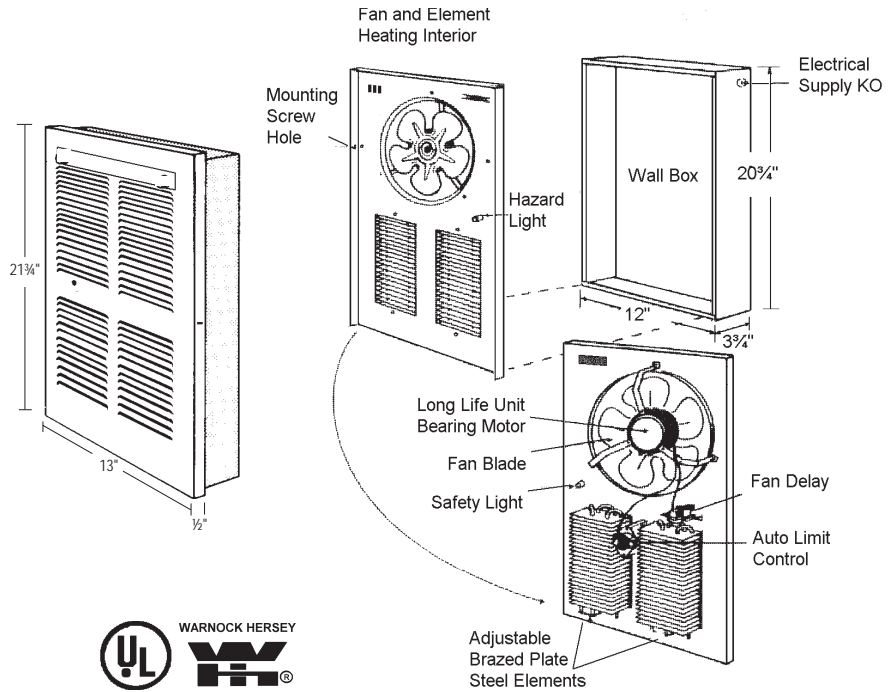
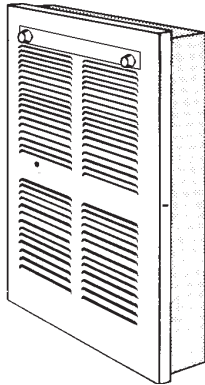
OWNERS GUIDE & INSTALLATION INSTRUCTIONS SHOULD BE LEFT WITH HEATER FOR HOME OWNER

INSTALLATION INSTRUCTIONS

SAFETY LIGHT

SAVE THESE INSTRUCTIONS

NOTICE - The light may illuminate periodically during normal operation for 10 to 45 seconds. This flashing is not a hazard. If the light stays on steadily for 1 to 5 minutes an over-temperature condition probably exists and the heater should be examined.

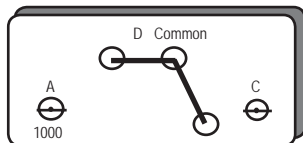


INSTALLATION INSTRUCTIONS

This heater is shipped from the factory wired for maximum wattage of 4000 Watts. To reduce the wattage unplug (disconnect) an insulated push on terminal and wrap with electrical tape to prevent the possibility of electrical contact with other parts.

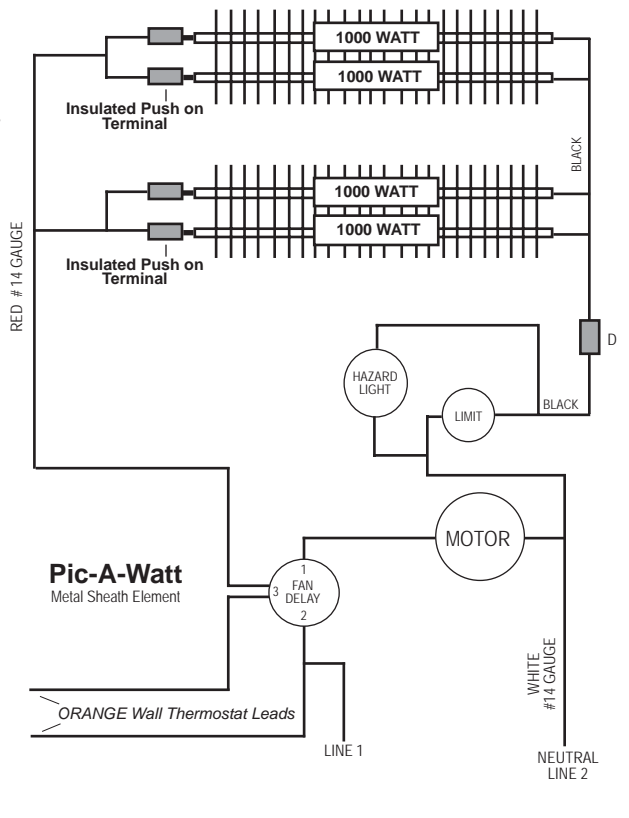
WIRE COLOR CODING

- A - Disconnects the 1000 Watt Element
 - D - Energized Common Leg
- DO NOT DISCONNECT**

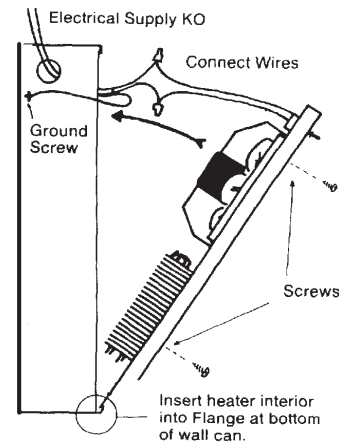


END VIEW OF ELEMENT SHOWING QUICK CONNECT TERMINALS

- A - 1000 WATT
- D - COMMON LEG OF POWER SUPPLY



This heater includes a visual alarm to warn that parts of the heater are getting excessively hot. If the alarm flashes, immediately turn the heater off and inspect for any objects on or adjacent to the heater that may cause high temperatures.



LPW2740C

LPW 2740C.indd : 9/09

OWNERS GUIDE & INSTALLATION INSTRUCTIONS SHOULD BE LEFT WITH HEATER FOR HOME OWNER